



SmartShield



User Guide

IMPORTANT!

READ THESE INSTRUCTIONS CAREFULLY BEFORE USE AND KEEP THEM FOR FUTURE REFERENCE.

Welcome to

**ZA
GG**



	Page
1. Safety Instructions	3
2. FCC Statement	4
3. IC Warning	4
4. Box Contents	5
5. Setting Up	6-9
- Connecting	6
- Setting Blade Depth	7
- Inserting Blade in Blade Holder	8
- Installing Cutting Blade Holder	9

	Page
6. Cut Process	10
- Making your First Cut	10
- Replacement Cuts	10
7. Health and Safety Information	11
8. Machine Information	12-13

IMPORTANT SAFETY INSTRUCTIONS



READ THESE IMPORTANT SAFETY INSTRUCTIONS

THIS DEVICE IS INTENDED FOR RETAIL USE ONLY

To reduce the risk of fire, electrical shock or personal injury, it is important that you read and understand all the instructions and warnings that come with ZAGG SmartShield Electronic Cutter Machine ("Product").



ELECTRICAL SHOCK HAZARD

Product is an electrical device. Use with caution. Observe the following precautions:

- Do not operate Product on wet surfaces or near any water sources (tub, shower, sink, etc.)
- Keep liquids and beverages away from Product.
- Unplug Product from outlet when not in use or before cleaning.
- Unplug Product when removing or installing Blades or Blade Holder.



PINCH HAZARD

Cutting Carriage can pinch fingers or hand. Feed Rollers can catch hair or clothing.



CUTTING HAZARD

Cutting Blades are sharp. Handle with care.

- Keep fingers away from tip of exposed blade.



Keep away from children.

- Choking hazard. Small parts.

GENERAL SAFETY RULES:

- Read and understand all the instructions and warnings that come with the Product.
- Always operate Product on a dry, clean, level surface.
- Do not operate Product with wet hands.
- Keep area of operation well lit.
- Do not operate Product near flammable liquids or gases.
- Do not operate Product out of doors.
- Do not unplug Product by tugging or pulling the power cord.

SAVE THESE INSTRUCTIONS AND WARNINGS and keep them near your ZAGG SmartShield Machine.
Please visit zaggisod.com/docs/ for more information.

1. This device complies with Part 15 of the FCC Rules. Operation is subject to the following two conditions: (1) This device may not cause harmful interference, and (2) This device must accept any interference received, including interference that may cause undesired operation.

2. Changes or modifications not expressly approved by the party responsible for compliance could void the user's authority to operate the equipment.

NOTE: This equipment has been tested and found to comply with the limits for a Class B digital device, pursuant to Part 15 of the FCC Rules. These limits are designed to provide reasonable protection against harmful interference in a residential installation. This equipment generates uses and can radiate radio frequency energy and, if not installed and used in accordance with the instructions, may cause harmful interference to radio communications. However, there is no guarantee that interference will not occur

in a particular installation. If this equipment does cause harmful interference to radio or television reception, which can be determined by turning the equipment off and on, the user is encouraged to try to correct the interference by one or more of the following measures:

- Reorient or relocate the receiving antenna. Increase the separation between the equipment and receiver.
- Connect the equipment into an outlet on a circuit different from that to which the receiver is connected.
- Consult the dealer or an experienced radio TV technician for help.

Radiation Exposure Statement

This equipment complies with FCC/IC radiation exposure limits set forth for an uncontrolled environment. This equipment should be installed and operated with minimum distance 20cm between the radiator and your body.

IC Warning

English:

This device contains licence-exempt transmitter(s)/receiver(s) that comply with Innovation, Science and Economic Development Canada's licence-exempt RSS(s). Operation is subject to the following two conditions:

- (1) This device may not cause interference.
- (2) This device must accept any interference, including interference that may cause undesired operation of the device.

Français:

L'émetteur/récepteur exempt de licence contenu dans le présent appareil est conforme aux CNR d'Innovation, Sciences et Développement économique Canada applicables aux appareils radio exempts de licence. L'exploitation est autorisée aux deux conditions suivantes :

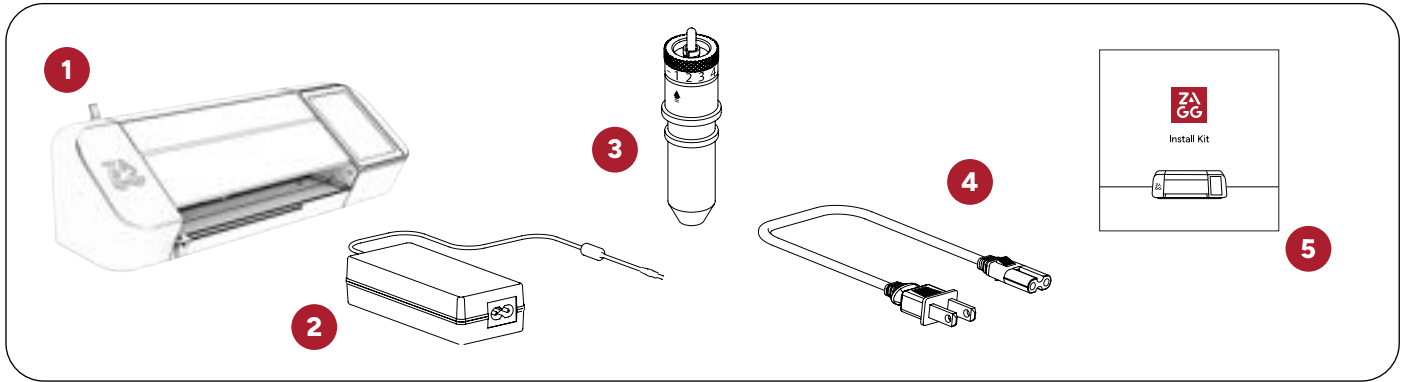
- 1) L'appareil ne doit pas produire de brouillage;
- 2) L'appareil doit accepter tout brouillage radioélectrique subi, même si le brouillage est susceptible d'en compromettre le fonctionnement.



IEC 60417-6057 (2011-05)

This symbol means keep away from moving parts.

BOX CONTENTS



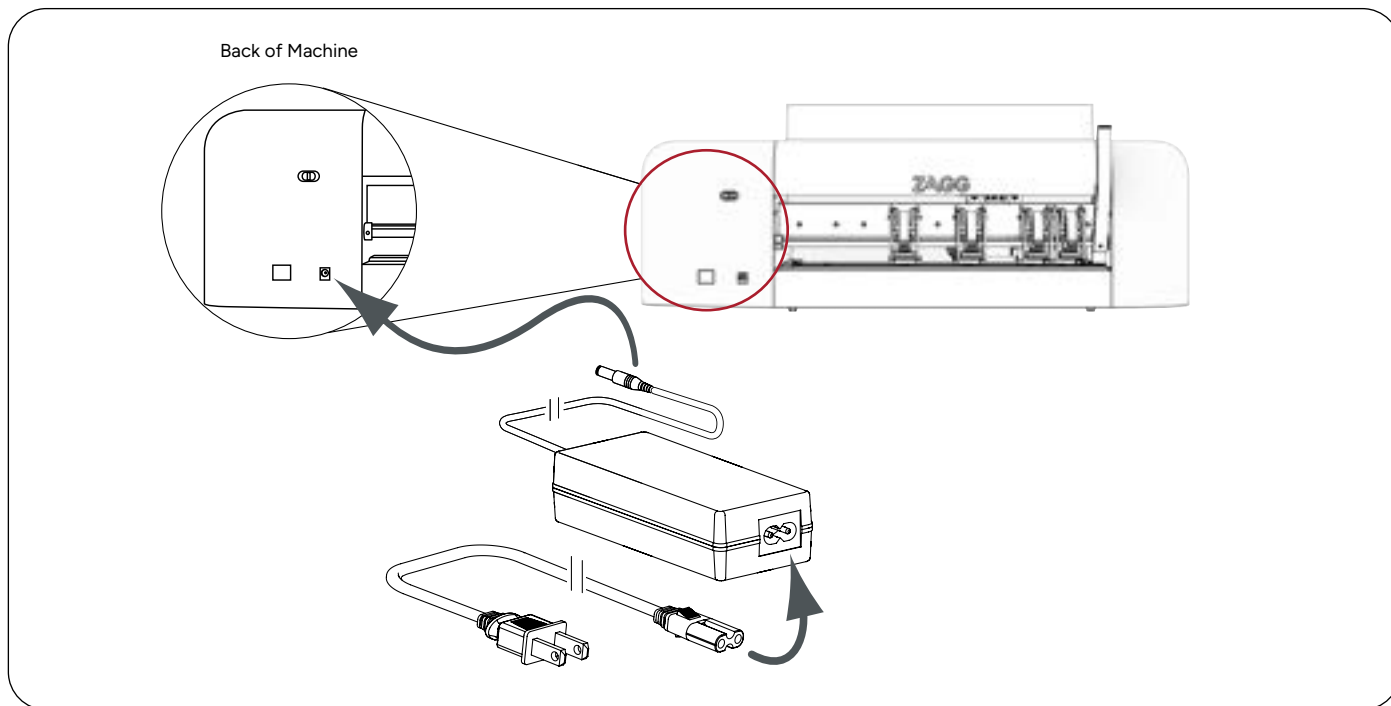
CONTENTS:

1. SmartShield Machine
2. Universal Power Supply
3. Blade Capsule
4. Power Cord (Region Specific)

5. Install Kit
 - x1 Wearable Squeegee
 - x2 Small Squeegee
 - x1 Medium Squeegee
 - x1 Large Squeegee

- x1 Installation Mat
- x2 Microfibre Cloth
- x2 Cutting Blade

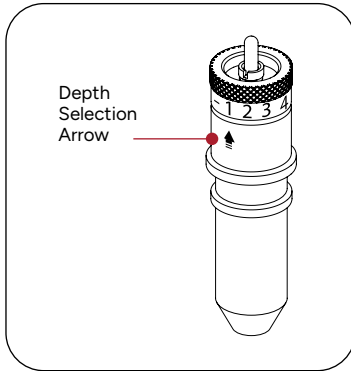
- x1 Cleaning Solution Spray
- x1 Scrapper Squeegee
- x1 Metal Tweezers



1. Plug Power Cord into Universal Power Supply.
2. Plug Universal Power Supply into side of ZAGG SmartShield Machine.

SET UP

SETTING THE BLADE DEPTH

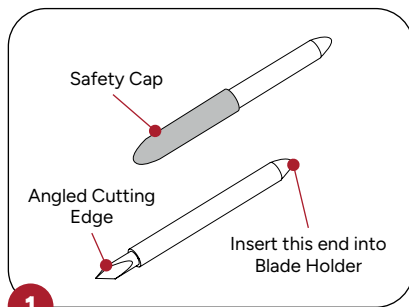


The recommended starting position is level 4. For optimal results, try a test cut and make necessary adjustments to the blade level before performing the final cut.

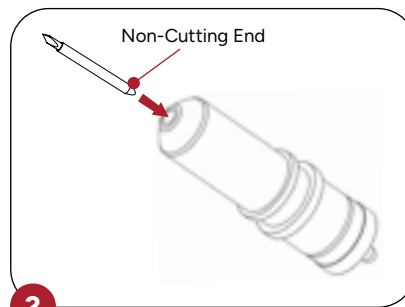
✓ Lower Number for Thinner Material
Higher Number for Thicker Material

NOTICE DO NOT adjust blade depth while ZAGG SmartShield Machine is operating.

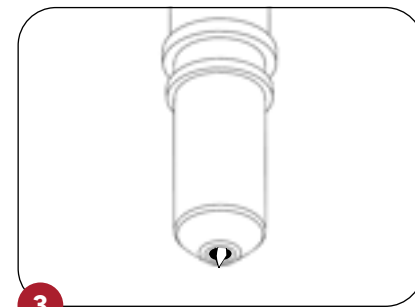
INSERTING THE BLADE INTO THE BLADE HOLDER



Carefully remove Safety Cap from Blade, exposing Angled Cutting Edge.



Carefully insert Non-Cutting End of Blade into hole at bottom of Blade Holder. Blade is held in place magnetically.



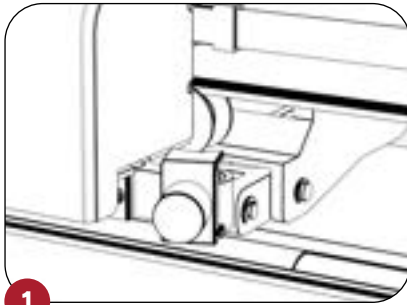
Note that Blade is exposed, but barely visible, when inserted properly.



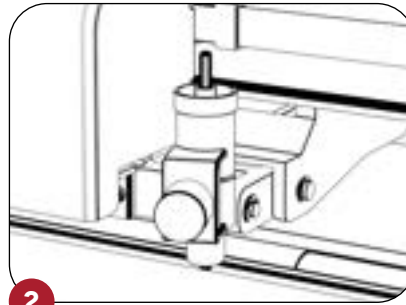
CAUTION: CUTTING HAZARD Blade is sharp, handle with care.

SET UP

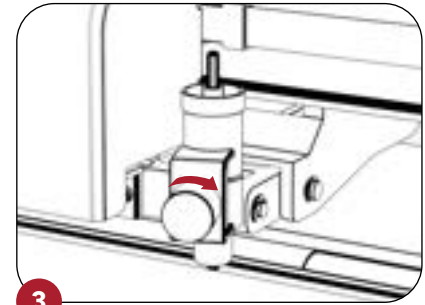
INSTALLING CUTTING BLADE HOLDER



Loosen Clamp by turning Clamp Screw counterclockwise, approx. 1/2 of a turn.



Place Blade Holder into Clamp, making sure that Depth Selection Arrow is facing out.



Tighten Blade Holder by turning the Clamp Screw clockwise, until Blade Holder is secure.



WARNING: MOVING PARTS Keep fingers, hair and clothing away.



CAUTION: Always unplug ZAGG SmartShield Machine before removing or installing Blade Holder.



CAUTION: CUTTING HAZARD Keep fingers away from exposed blade.

MAKING YOUR FIRST CUT

Make your first cut!
Scan here



STEP 1:
Select the
brand



STEP 2:
Select the
device



STEP 3:
Select design
and cut type



STEP 4:
Load the
film



STEP 5:
Select
next



STEP 6:
Review
and cut



You've made your first cut!

REPLACEMENT CUTS

When a replacement cut is needed, make a new cut and select the relevant cut type for reporting purposes.

Warranty – Customer has left the store and returns due to an issue with their screen protector.

Miscut – An issue occurs while cutting the film.

Install Error – An issue occurs while installing the film on the device.

CLEANING SOLUTION MSDS HEALTH AND SAFETY INFORMATION

COMPOSITION/INFORMATION ON INGREDIENTS

CHEMICAL NAME	CAS NO.	CONCENTRATION
Water	7732-18-5	79.48%
Cocoamidopropyl Betaine	86243-76-7	1%
D-Glucopyranose, Oligomeric, C	/	0.5%
EDTA	139-33-3	0.02%
Biguanide	56-03-1	0.3%
Benzalkoniumchloride	63449-41-2	0.2%
Ethanol,2,2' - Isopropylidenebis	901-44-0	0.5%

FIRST AID MEASURES

General Measures: In all cases of doubt, seek medical attention.

Following Inhalation: Remove affected individual to fresh air and keep at rest in a position comfortable for breathing.

Following Skin Contact: Wash with plenty of soap and water. If skin irritation occurs, get medical advice/attention. Take off contaminated clothing and wash it before use.

Following Eye Contact: Rinse cautiously with water for several minutes. Removed contact lenses, if present and easy to do so. Continue rinsing. If eye irritation persists, get medical advice/attention.

Following Ingestion: Rinse mouth. Seek medical advice/attention if you feel unwell.

PRODUCT NAME	ITEM	SPECIFICATION
Machine	Built-in Camera (Basic Functionality)	Scan QR code, 300,000 pixel
	Built-in Camera (Advanced Functionality)	USB camera for taking pictures, 2 million pixels
	Tablet	7inch, integrated screen, Android 12
	RAM	2+16G
	Wi-Fi & Ethernet	RJ45
	Size	592.5 x 224.7 x 186.4mm
	Package Size	685 x 330 x 330mm
	Weight (Approx.)	11kgs
	Colour	Red
	Housing Disassemble	Main Board +Plastic Case + Hardware Body + Cutting Blade
	Main Material	Plastic + Aluminum
	Power Consumption	65W
	Input	100 -240V
	Output	24V 2.7A DC
	Working Environment	-5 to 45°
Waterproof	No	

MACHINE INFORMATION

ZAGG ISOD-ML2

PRODUCT NAME	ITEM	SPECIFICATION
Work	Max. Cutting Width	305mm
	Max. Media Width	305mm
	Cutting Precision	0.1mm
	Max. Cutting Speed	300-600mm/s
	Max Cutting Force	1000g
Data Connection	Output RF dBm (EIRP) - RF dBm (EIRP)	2.4G: Min14dBm±3, Max20dBm±3; 5G: Min11dBm±3, Max13dBm±3;
	Operating Frequency	2.4G: 2412-2484MHz 5G: 5150-5850MHz
	Antenna Type (dBi) (dBi)	2dBi
	Modulation	DBPSK/DOPSK/CCK(DSSS), BPSK/OPSK/16QAM/64QAM(OFDM)
Power Interface DC Jack	Power Supply Type	AC Adapter
	Power	65W
	AC source	AC 100 - 240V
	Output	DC 24V 2.7A

WARNING Electrical shock may result from removing covers. Maintenance is done by authorised technician.



ZAGG
Support Centre



Contact your Local Support: ZAGG Customer Service
www.zaggisod.com/faq.html

Native Support: FR (+33) 178 965 278 | GER (+49) 89 26300605
IT (+39) 0230562424 | AUT (+43) 12057735378

English Support in Available Countries: AUS 1300 476 343 | US (+1) 844 280 0039
UK (+44) 2081428819 | CA 844 280 0039 | DK (+45) 327 303 85 | FIN 026360012
IRE (+353) 15824230 | NZ 0800476343 | NORW (+47) 23884105 | PORT (+21) 1232624
ESP (+34) 917944565 | SE (+46) 853527277

Email: isod.support@zagg.com



©2025 ZAGG Inc. ZAGG, ZAGG logo and InvisibleShield are trademarks of ZAGG Inc.